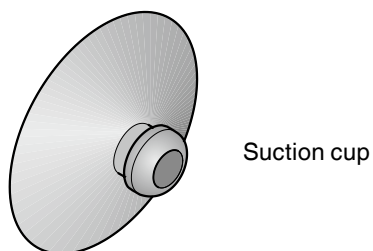
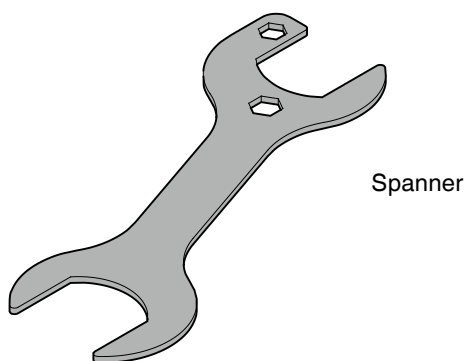
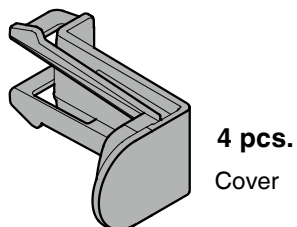
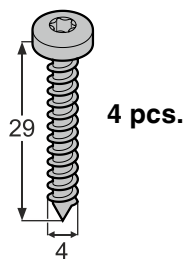


7084 157-00

WKEgb 582, WKEgw 582

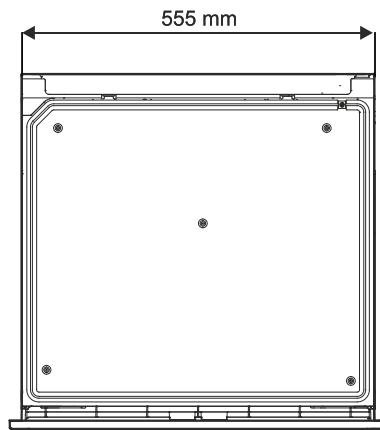
LIEBHERR

Supplied accessories

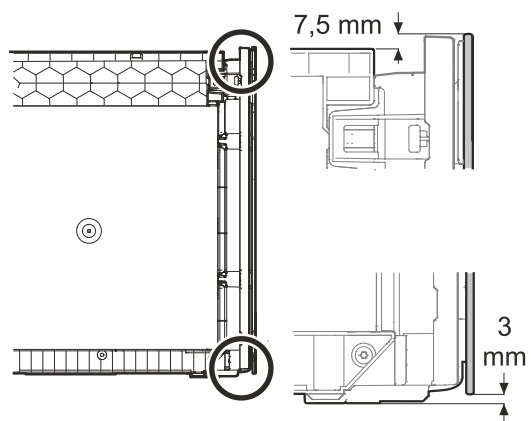
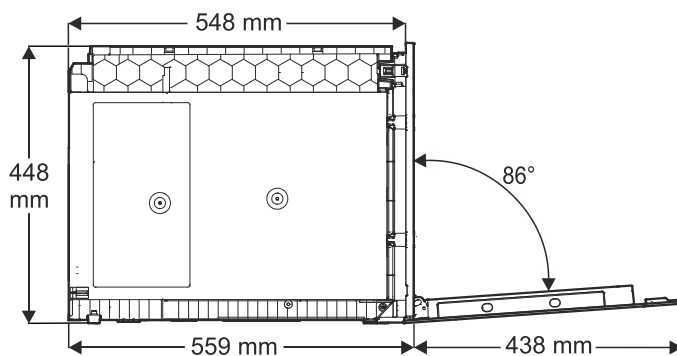


Appliance dimensions

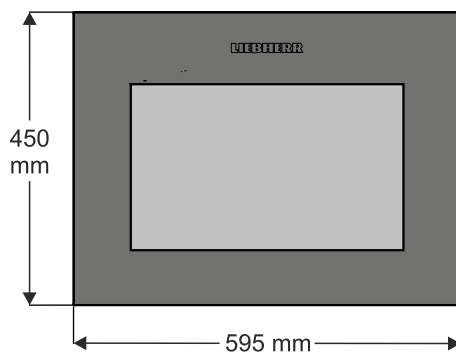
View from above



Side view



Dimensions of appliance door



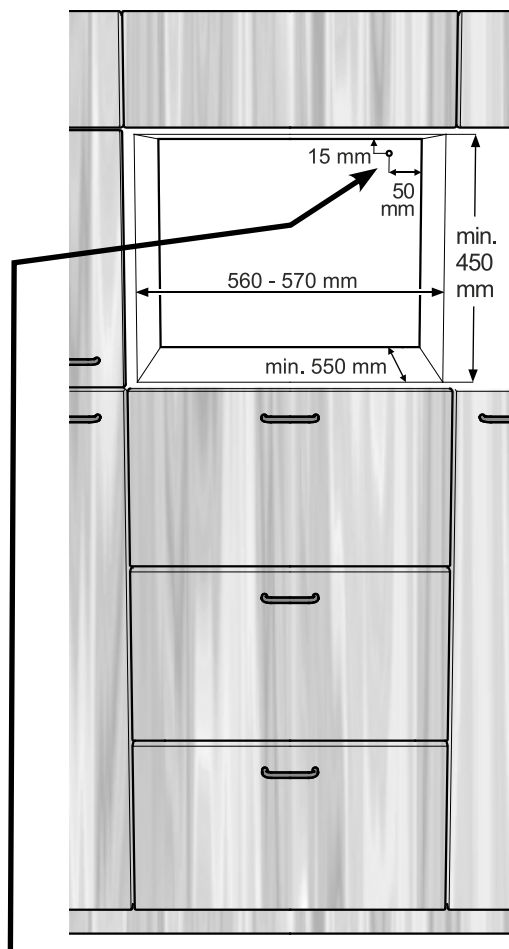
Installation dimensions

Important

In order to avoid any problems when installing the appliance and to avoid damage to the appliance, the following conditions must be complied with.

The kitchen unit must be aligned horizontally and vertically.

Minimum wall thickness of the body of the unit = 16 mm.



In this area, the power cord comes out of the appliance rear.

Free length of the power cord = **2300 mm**

Choose the position of the socket considering these specifications.

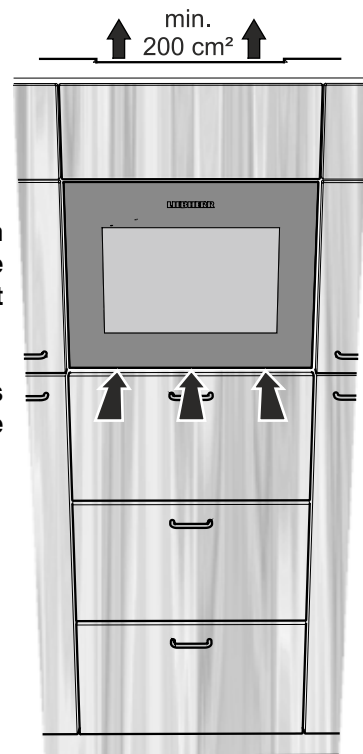
The socket must not be situated behind the appliance and must be easily accessible.

Appliance venting

Important

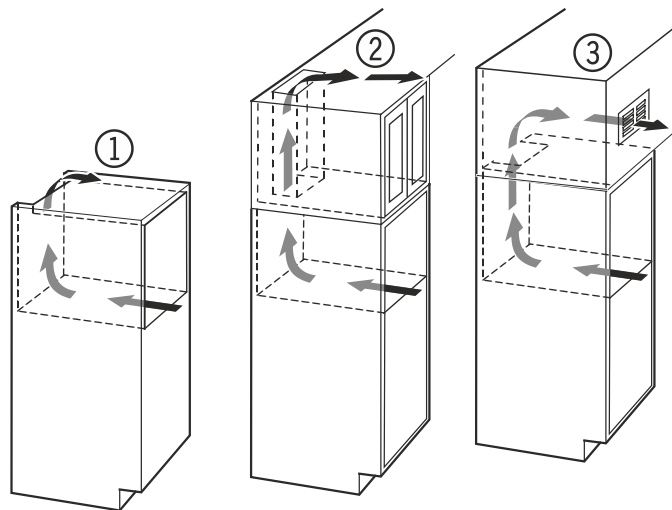
The clear ventilation cross-section above the appliance must be at least 200 cm².

The air supply passes below the appliance door.



Types of air outlet

- ① Directly above the appliance
- ② Above the top unit
- ③ From the front of the top unit with decor grille



Important

When using decor grilles, it must be taken into account that the clear ventilation cross-section corresponds to the sum of the individual openings in the grille.

A cut-out section of merely 200 cm² for installing the ventilation grille is thus not sufficient.

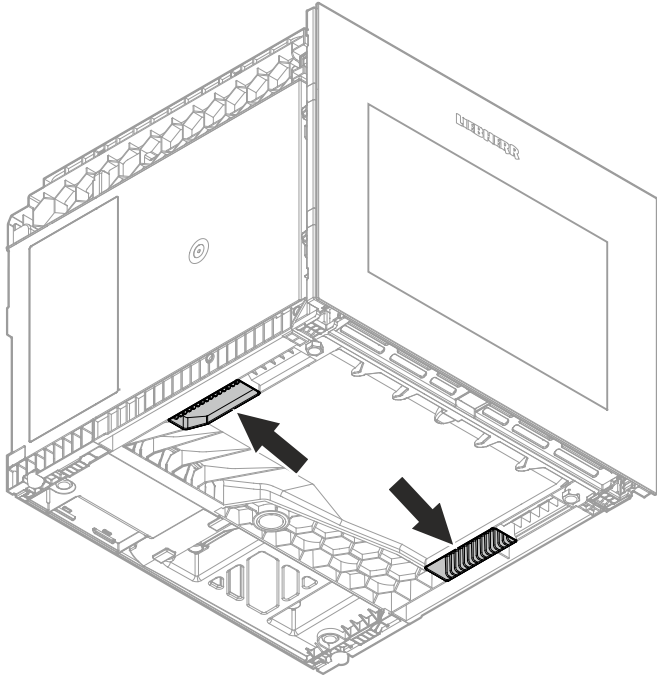
Installing the appliance

CAUTION

Risk of damage and injury if the appliance falls.

Do not install the appliance alone.

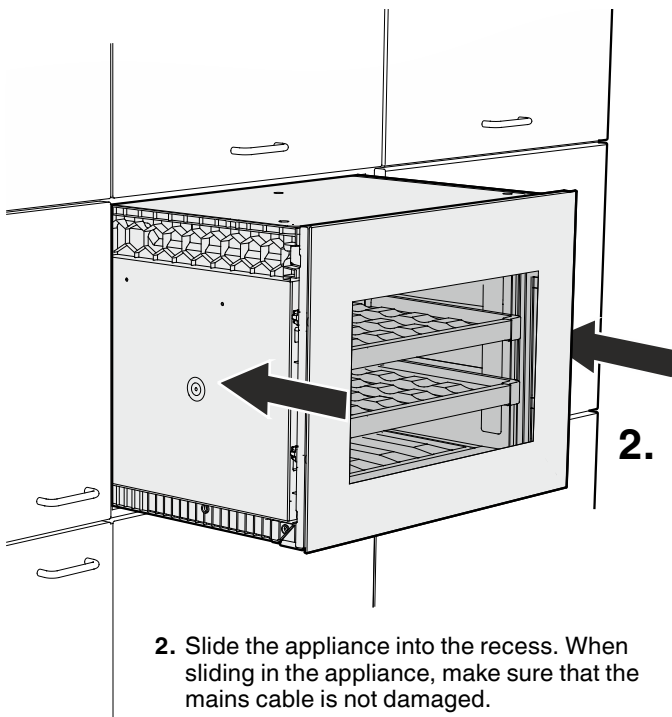
Fitting and removing the appliance is a job for two people.



Note

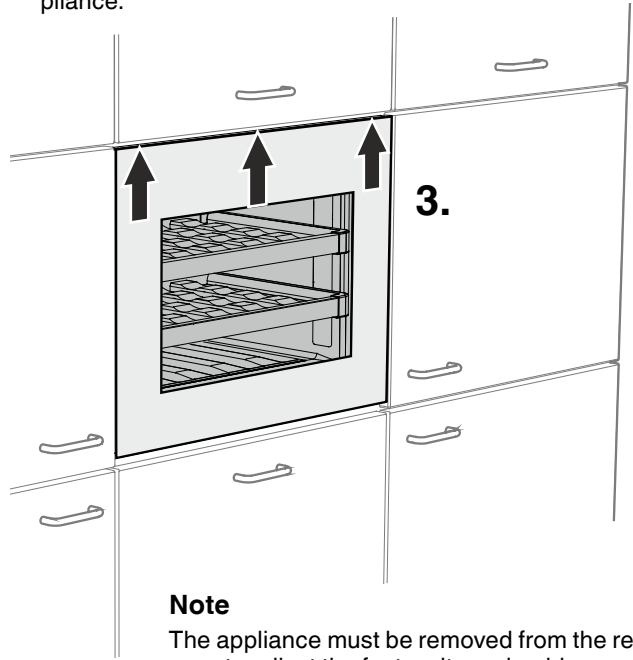
Hold the appliance using the handles underneath to transport it.

1. Route the mains cable towards the socket.



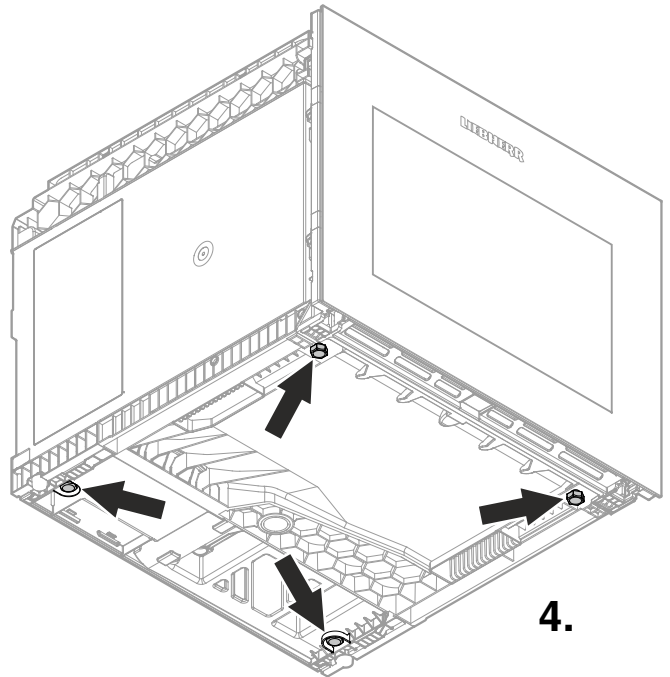
2. Slide the appliance into the recess. When sliding in the appliance, make sure that the mains cable is not damaged.

3. Check the height alignment of the appliance.



Note

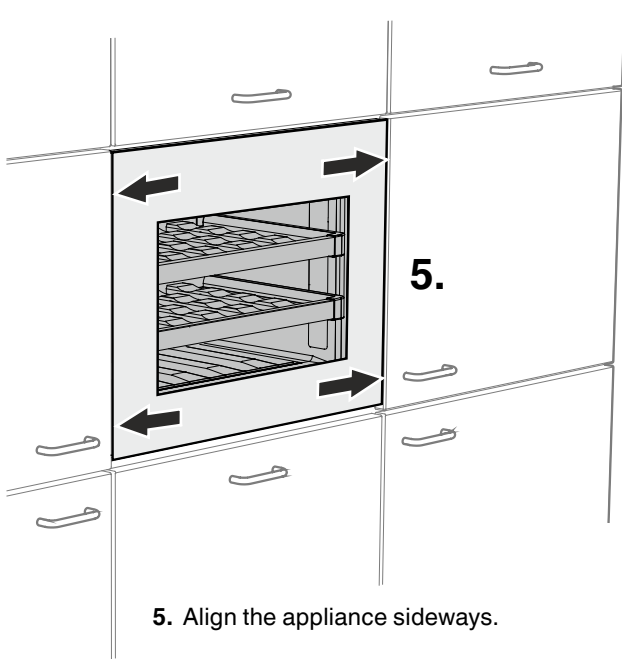
The appliance must be removed from the recess to adjust the feet on its underside.



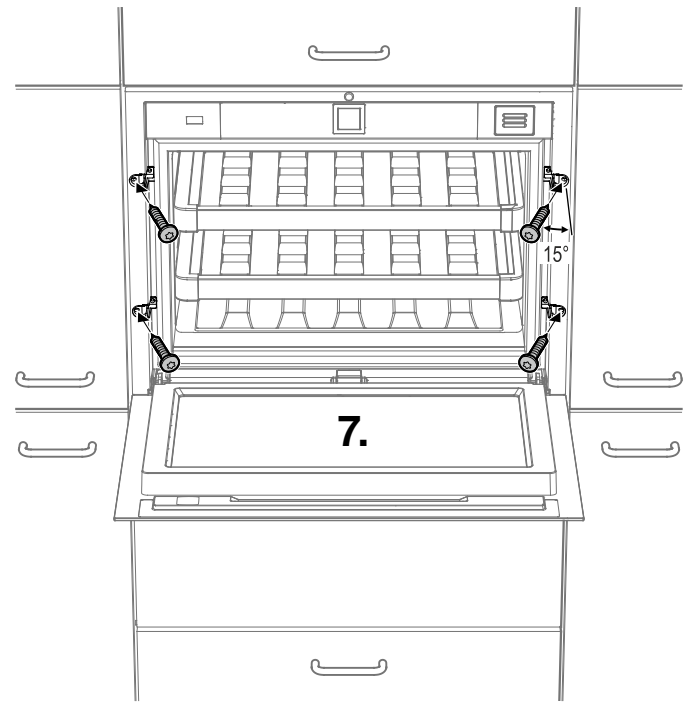
4. Adjust the feet to the required height if necessary.

The feet can be turned by hand; if they do not turn easily, use the open-ended spanner provided.

Slide the appliance into the recess. When sliding in the appliance, make sure that the mains cable is not damaged.



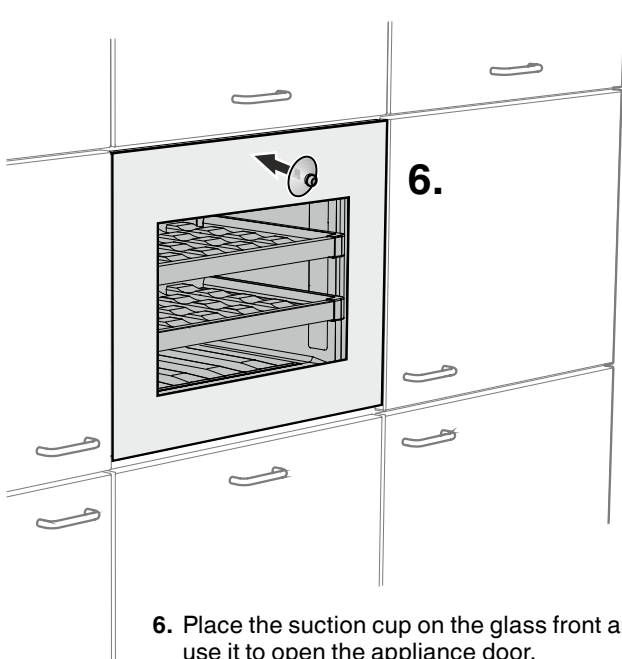
5. Align the appliance sideways.



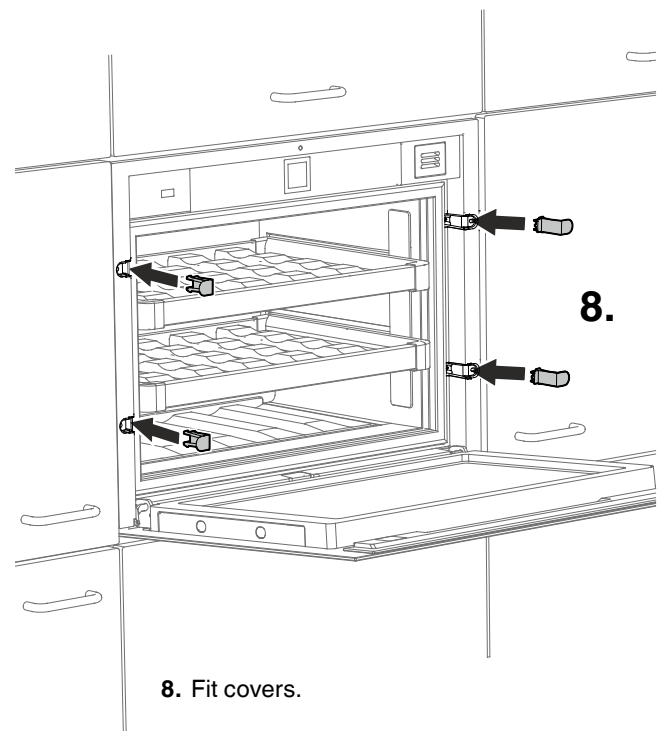
7. Secure the appliance to the kitchen unit using four screws (4 x 29).

Important

Insert the screws into the kitchen unit side panel at a slight angle (approximately 15°).



6. Place the suction cup on the glass front and use it to open the appliance door.



8. Fit covers.

Installation is now complete.